

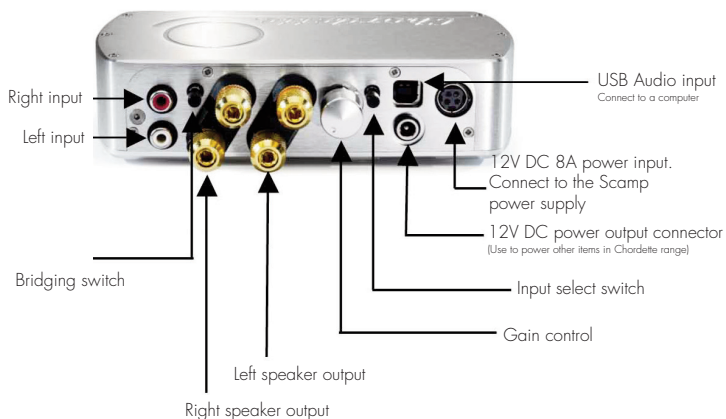
# Chordette SCAMP

## Stereo Power Amplifier

Thank you for purchasing the Chordette Scamp. In order to get the most from your product please take a few moments to read these instructions.

### Connections

The Scamp can be connected to an analogue source via the RCA phono connectors or to a computer via the USB connection. In these cases the built in volume control can be used to adjust the volume. The Scamp can also be connected to a preamplifier such as the Chordette Prime via the RCA phono connectors but in this case the Scamp gain control should be set to maximum. The speakers connect to the gold plated binding posts red for positive and black for negative. There is a 12V power **output** socket that can be used to power other items in the Chordette range from the one Scamp power supply. The high current Scamp power supply should be connected to the 4 pin power connector last, once all other connections are made.



### Input Selection

The input switch allows you to change between the analogue RCA phono input (switch out) and the USB input (switch in). Set this switch according to which input you would like to listen to.

## Bridging Switch

The Scamp features an internal bridging function which can be activated with this switch.

## Gain Control

Use this to adjust the volume level when an external preamplifier is not being used.

## Using USB digital

Connect your personal computer via an A to B type USB cable. The Scamp will automatically be recognised by the computer as a USB DAC. Using the sound options on the computer you can select the USB DAC sound device to output audio to the Scamp.

## Using the Bridging Function

When the bridging switch is pressed the Scamp becomes a high power mono amplifier. When using this mode the connections need to be made differently. Only one input is required this can be left or right depending on which speaker you want to connect to. The speaker then connects to the red terminals only. The positive speaker connection should go to the right red terminal and the negative speaker connection should go to the left red terminal. Do not connect to the black binding posts. Repeat this procedure for the other amplifier. You will now have two bridged mono block amplifiers with an 80W output.

## Automatic Overload shutdown

If the Scamp is overdriven or the volume is turned up too high then the amplifier will go into shutdown mode where the music will sound quieter and distorted. This is to protect both the amplifier and speakers. Simply reduce the volume until you can hear the music clearly again.

## Specifications

### Pre-Amp Section

Unbalanced Input: 1 pair RCA phono  
Digital Input: USB (44/48KHz USB 2.0 Compliant)  
Gain: Variable manual volume control

### Power Amp Section

Output Power: 2 x 40W rms per channel @ 0.05% distortion into 4 Ohms  
1 x 80W rms bridged mono @ 0.05% distortion into 4 Ohms

Frequency Response: -1dB, 0.8Hz to 46kHz (8 Ohms)  
-3dB, 0.8Hz to 77kHz (8 Ohms)  
-1dB, 0.8Hz to 39kHz (4 Ohms)  
-3dB, 0.8Hz to 75kHz (4 Ohms)

Signal To Noise Ratio: Better than -103dB, 'A' weighted two thirds

Channel Separation: -80dB

Output Impedance: 0.03 Ohms

Output Inductance: 2.6mH

Output Connections: 4 x gold binding posts

Slew rate: 70V per  $\mu$ S, 1kHz 20V square wave

Stability: Unconditional

Power Supply: 12V 8A

Dimensions: 160 x 70 x 40mm (Width x Height x Depth)

Weight: 0.4Kg

Made in England by Chord Electronics Ltd



Chord Electronics Limited

[www.chordelectronics.co.uk](http://www.chordelectronics.co.uk)

